



TJA1103, ASIL B Compliant Automotive Ethernet 100BASE-T1 PHY Transceiver

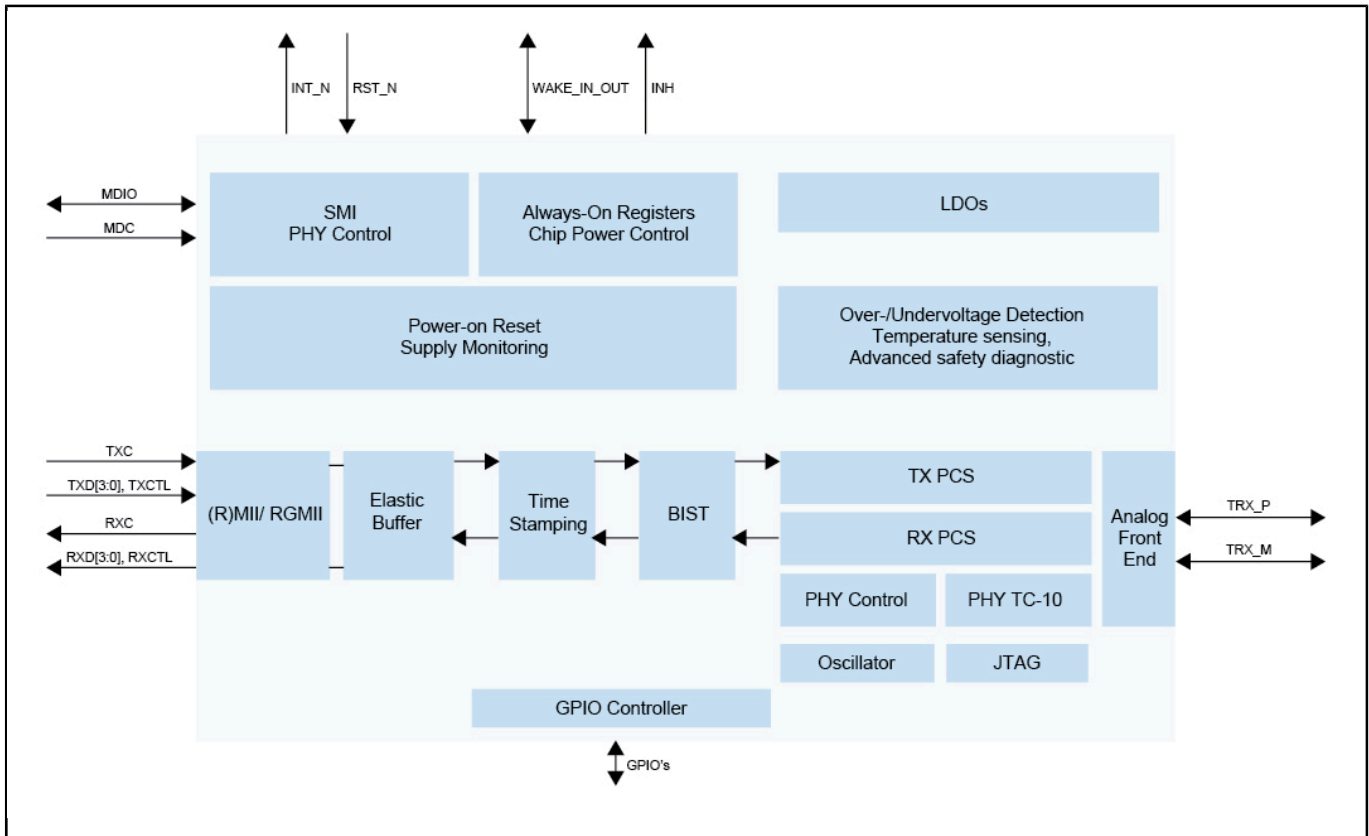
TJA1103

Last Updated: Apr 30, 2024

TJA1103 is the third-generation product of NXP's successful family of 100BASE-T1 Automotive Ethernet PHYs. It is perfectly suited to support the rapid expansion of Ethernet to the edge of the network or provide robust connection to domain controllers in the center of the car.

TJA1103 complies with all state-of-the-art conformance test specifications and is designed according to ISO 26262 to meet ASIL B, providing enhanced monitoring and diagnostic features. The PHY is drop in compatible with TJA1120 to equip assembly options of platform designs with the optimized PHY product for 100 Mbps or 1 Gbps data rate.

TJA1103 Block Diagram Block Diagram



View additional information for [TJA1103, ASIL B Compliant Automotive Ethernet 100BASE-T1 PHY Transceiver](#).

Note: The information on this document is subject to change without notice.

www.nxp.com

NXP and the NXP logo are trademarks of NXP B.V. All other product or service names are the property of their respective owners. The related technology may be protected by any or all of patents, copyrights, designs and trade secrets. All rights reserved. © 2024 NXP B.V.