



CAN Signal Improvement Capability Transceiver with Standby Mode

TJA1462

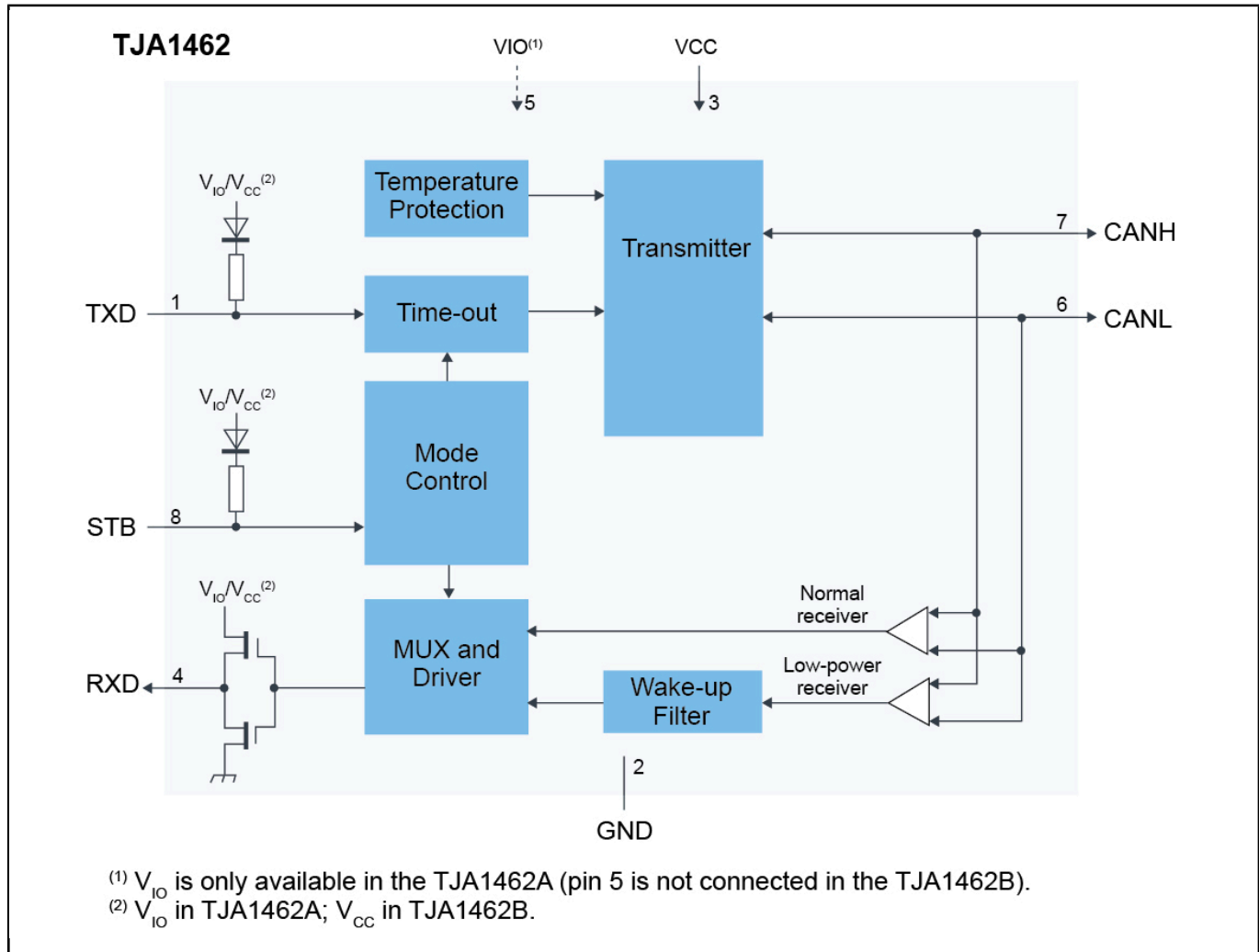
Last Updated: Jul 12, 2023

The TJA1462 CAN signal improvement capability (SIC) transceiver with standby mode is part of the TJA146x transceiver family that implements CAN SIC as defined in CiA 601-4. By meeting the CAN physical layer as defined in ISO11898-2:2016 and SAE J2284-(1-5), the TJA1462 is fully interoperable with high-speed classical CAN and CAN FD.

CAN signal improvement significantly reduces signal ringing on a network, allowing reliable CAN FD communication to function at 5 Mbit/s in larger topologies. In addition, the TJA1462 features a much tighter bit timing symmetry performance to enable CAN FD communication up to 8 Mbit/s.

The TJA1462 is backwards compatible and a drop-in replacement for classical CAN and CAN FD transceivers, such as NXP's TJA1042 and TJA1044GT.

TJA1462 Block Diagram Block Diagram



View additional information for [CAN Signal Improvement Capability Transceiver with Standby Mode](#).

Note: The information on this document is subject to change without notice.

www.nxp.com

NXP and the NXP logo are trademarks of NXP B.V. All other product or service names are the property of their respective owners. The related technology may be protected by any or all of patents, copyrights, designs and trade secrets. All rights reserved. © 2024 NXP B.V.